

MOBILE DVR

4 Channel High-performance Standalone Mobile DVR



DH-DVR0404ME-U DH-DVR0404ME-H
 DH-DVR0404ME-U-G DH-DVR0404ME-H-G

NOTE:
 DVR0404ME-U support 1 channel D1 and 3 channels CIF recording, DVR0404ME-H support 4 channels D1 recording. -G support GPS function.

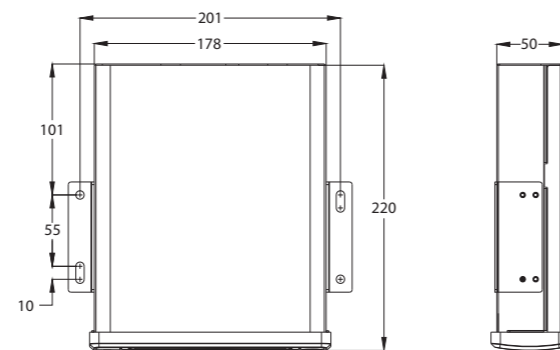
Features

- New standard for mobile DVR with H.264 video compression
- 1DIN compact size(the car CD machine standard size) and standard car electronic interface, easy for embedded installation
- Multi-information display and recording: Car Number, Time, Channel, GPS, Speed, and Station name information, support freely setting of overlay and recording
- Watermark technology prevent video data tampering, to ensure the authenticity of the record
- Support wide voltage car power supply input(8~60V), protection of overvoltage, under-voltage, short circuit and over-current
- Air connector interface used, provide excellent waterproof, shockproof performance
- Pluggable HDD-case used, provide powerful vibration-proof capability
- Multi-Interface such as USB 2.0, Ethernet port, RS232,RS485 port, VGA, Alarm in/out etc
- Powerful network software: built-in web server, multi-DVR client, MSS(mobile phone surveillance software) & CMS

Rear Panel



Dimension



Specifications

	Model	DVR0404ME-U	DVR0404ME-U-G	DVR0404ME-H	DVR0404ME-H-G
System	Main Processor	High performance embedded microprocessor			
	Operating System	Embedded LINUX			
	System Resources	Pentaplex function: live, recording, playback, backup & remote access			
	Control Mode	USB mouse, IR remote control, Keyboard, Network			
Video	Input	4 channel, Air connector to BNC(1.0Vp-p, 75Ω)			
	Standard	NTSC(525Line, 60f/s), PAL(625Line, 50f/s)			
	Output	2 TV, Air connector to BNC(1.0Vp-p, 75Ω), 1 VGA(RJ45 port extension, default without extension cable),			
Audio	Input	4 channel, Air connector to BNC(200-2800mV, 30KΩ)			
	Output	2 channel, Air connector to BNC(200-3000mV, 5KΩ)			
	Bidirectional Talk	1 channel Input, (200-2800mV, 30KΩ), 1 channel Output, (200-3000mV, 5KΩ), 4-pin port extension			
Display	Display Split	1/4			
	Resolution	1280 × 1024, 1280 × 720, 1024 × 768, 800 × 600			
	Tour Display	Support			
	Privacy Masking	4 self-defined four-sided zones for privacy masking for each camera			
	OSD	Camera title, time, video loss, camera lock, motion detection, recording			
Recording	Video/Audio Compression	H.264 / PCM			
	Image Resolution	D1/4CIF(704 × 576/704 × 480) / HD1(352 × 576/352 × 480) / 2CIF(704 × 288/704 × 240) / CIF(352 × 288/352 × 240) / QCIF(176 × 144/176 × 120)			
	Encoding Speed	Channel 1: D1/HD1/2CIF/CIF(1~25/30fps)		D1/HD1/2CIF/CIF(1~25/30fps)	
	Bit Rate	32~2048Kb/s			
	Image Quality	1~6 level(level 6 is the best, VBR effectively)			
	Recording Mode	Manual, Schedule(Regular(Continuous), MD(Video detection: Motion detection, Camera blank, Video loss), Alarm), Stop			
	Recording Priority	Manual > Alarm > MD > Regular			
	Recording Interval	1~120 min. (default: 60 min.), Pre-record: 1~30 sec., Post-record: 10~300 secretary.			
Video Detection & Alarm	Trigger Events	Recording, PTZ movement, Tour, Alarm, Email, Spot output			
	Motion Detection	Zones: 396(22 × 18), Sensitivity: 1~6 (level 6 is highest)			
	Video Loss & Camera Blank	Support			
	Alarm Input	7 channel			
	Relay Output	2 channel			
Playback & Backup	Playback Channel	1/2/4			
	Search Mode	Time/Date, Alarm, Motion Detection & Exact search (accurate to second)			
	Playback Functions	Play, Pause, Stop, Rewind, Fast play, Slow play, Next file, Previous file, Next camera, Previous camera, Full screen, Repeat, Shuffle, Backup selection, Digital zoom(any size)			
	Backup Mode	Pluggable HDD-case / Flash drive / USB HDD / USB CD/DVD-RW / SD card / Network download			
Network	Interface	RJ-45 port (10/100M)			
	Network Functions	TCP/IP, UDP, DHCP, DNS, IP Filter, PPPoE, DDNS, FTP, Email, Alarm Server			
	Remote Operation	Monitor, PTZ control, Playback, System setting, File download, Log information			
Hard Disk	Hard Disk	1 SATA 2.5-inch HDD, Pluggable HDD-case			
	SD Card	2 SD card supported			
	Space Occupation	Audio: 28.8MB/H, Video: 56~900MB/H			
	HDD Management	Hard disk hibernation technology, HDD faulty alarm & Raid(Redundancy)			
Auxiliary Interface	USB Interface	2 ports, 1 in front, another extension			
	RS232	2 ports, RJ11, Communication			
	RS485	PTZ control			
Environmental	Power Supply	+12V / +24V / +42V(+8V~+60V)			
	Power Consumption	<15W(with HDD)			
	Working Environment	-10°C~+55°C / 10~90%RH / 86~106kpa			
	Dimension	178mm × 220mm × 50mm(W × D × H)			
	Weight	2.1KG(with HDD)			
	Vibration-proof	5Hz~300Hz: X / Y / Z each direction 8 hours 5Hz~11Hz: Vibration amplitude 10mm 11Hz~300Hz: 50m/s ²			

Special DVR